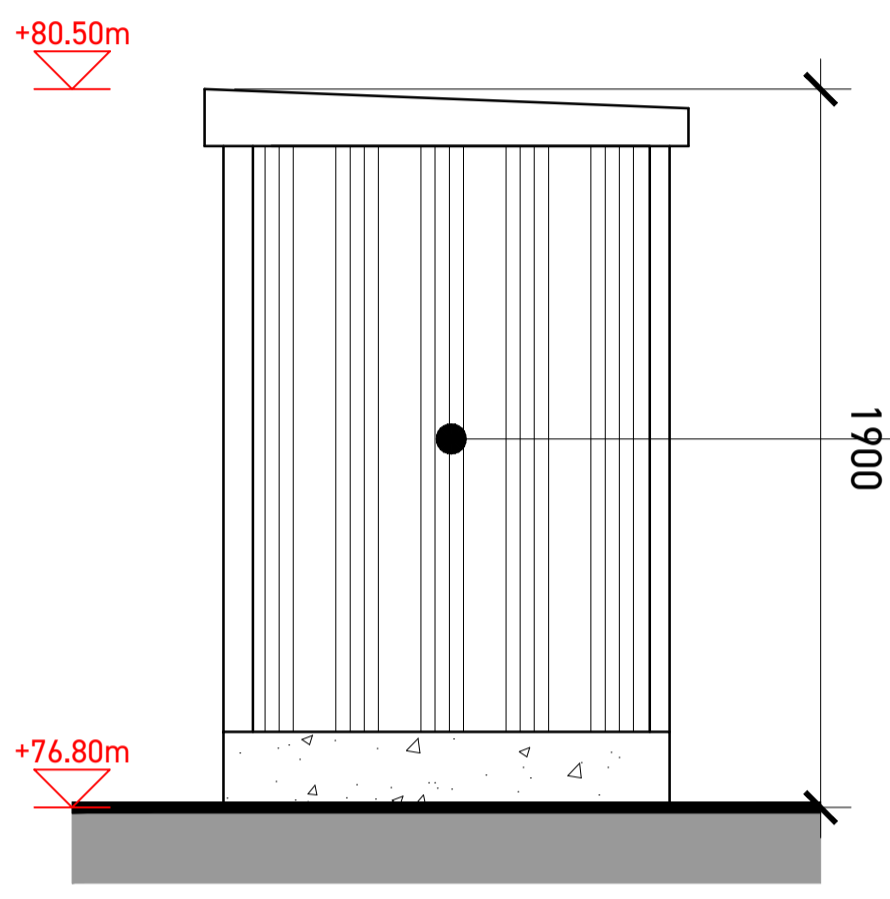
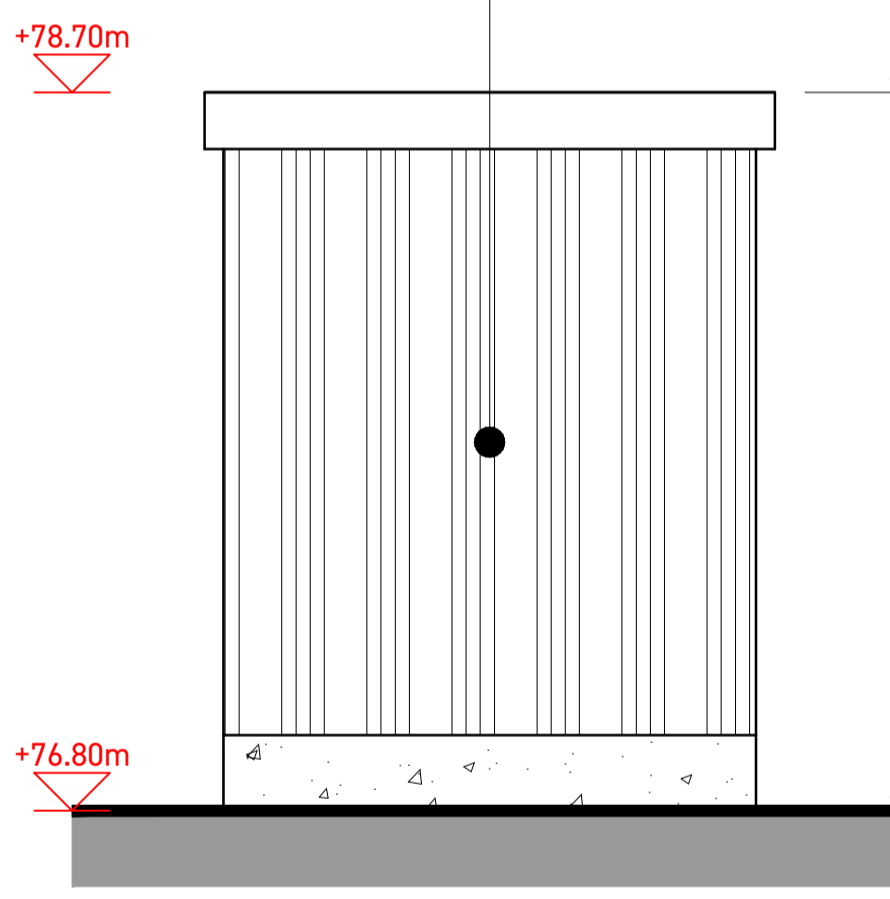


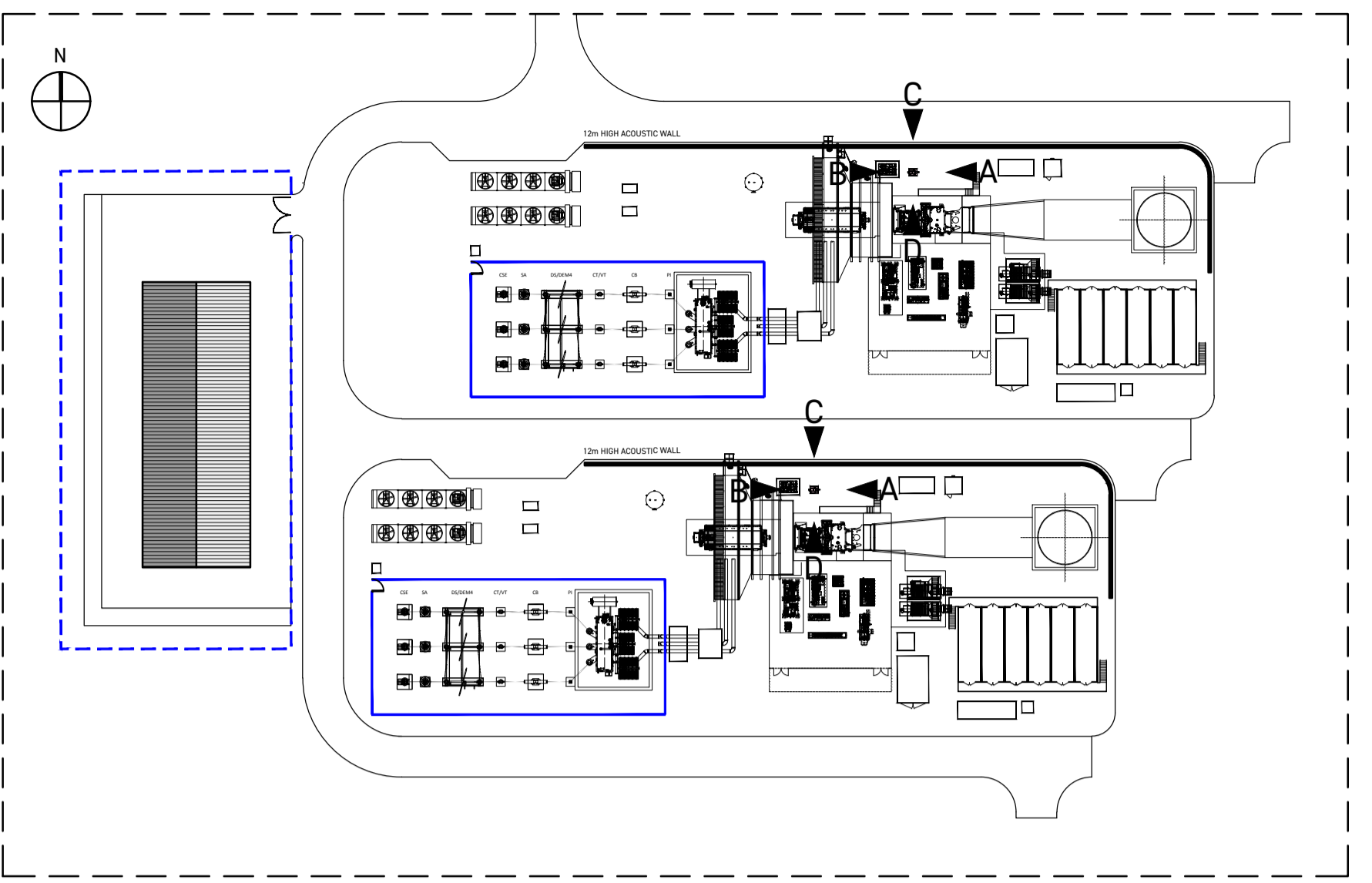
SECTION A-A 1:100



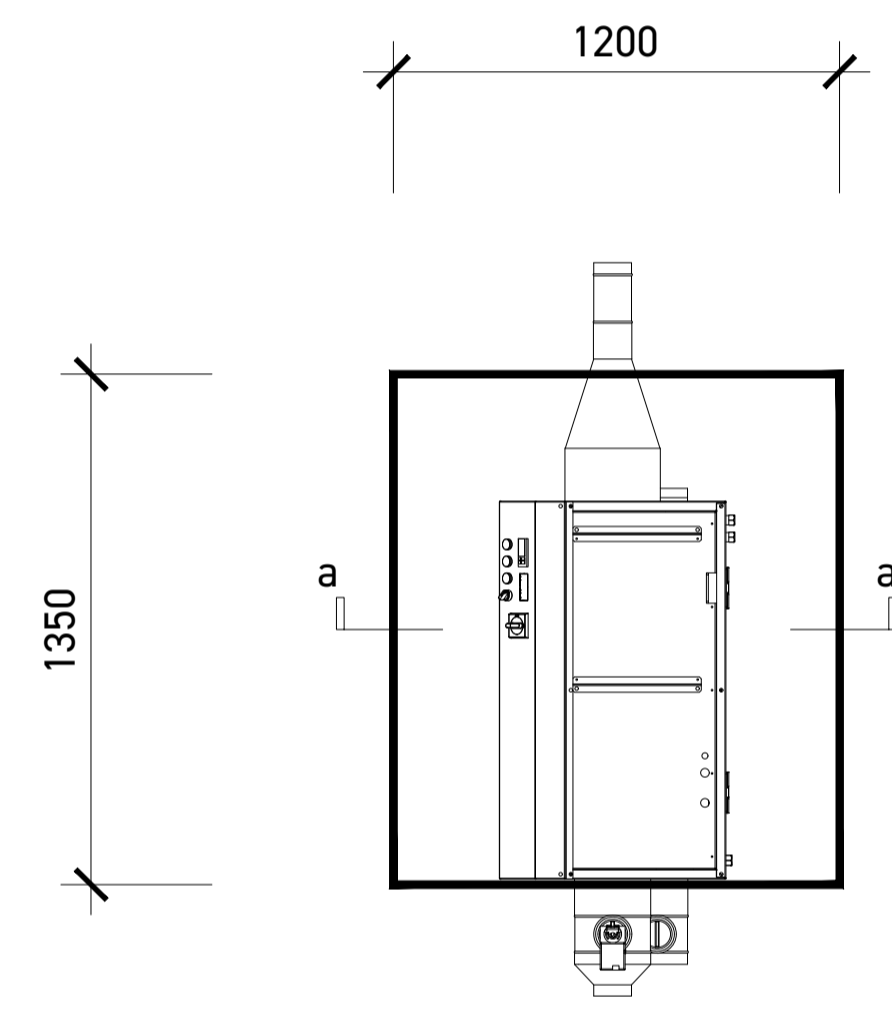
ELEVATION A TO EAST



ELEVATION B TO NORTH



KEY PLAN (NTS)



PLAN GROSS FLOOR AREA - 2SQ.M

ELEVATION D TO SOUTH

REMOVABLE PANEL

STEEL PANEL (WHITE)

- NOTES -

- MODULAR BUILDING CONSTRUCTED OF STEEL PROFILE
- FLOOR PLATE TO BE CARBON STEEL OR SIMILAR

Rev	Description	Date
-----	-------------	------

PLANNING

Client
Kilshane Energy Ltd

Project
POWER STATION
Kilshane, Dublin 11

Date
December 2025

Scale
1:50 @ A1

Drawing
AIR DRYER
PLAN, SECTION & ELEVATIONS

Job Nr
165

Drawing Nr
PL.M.01

Rev

